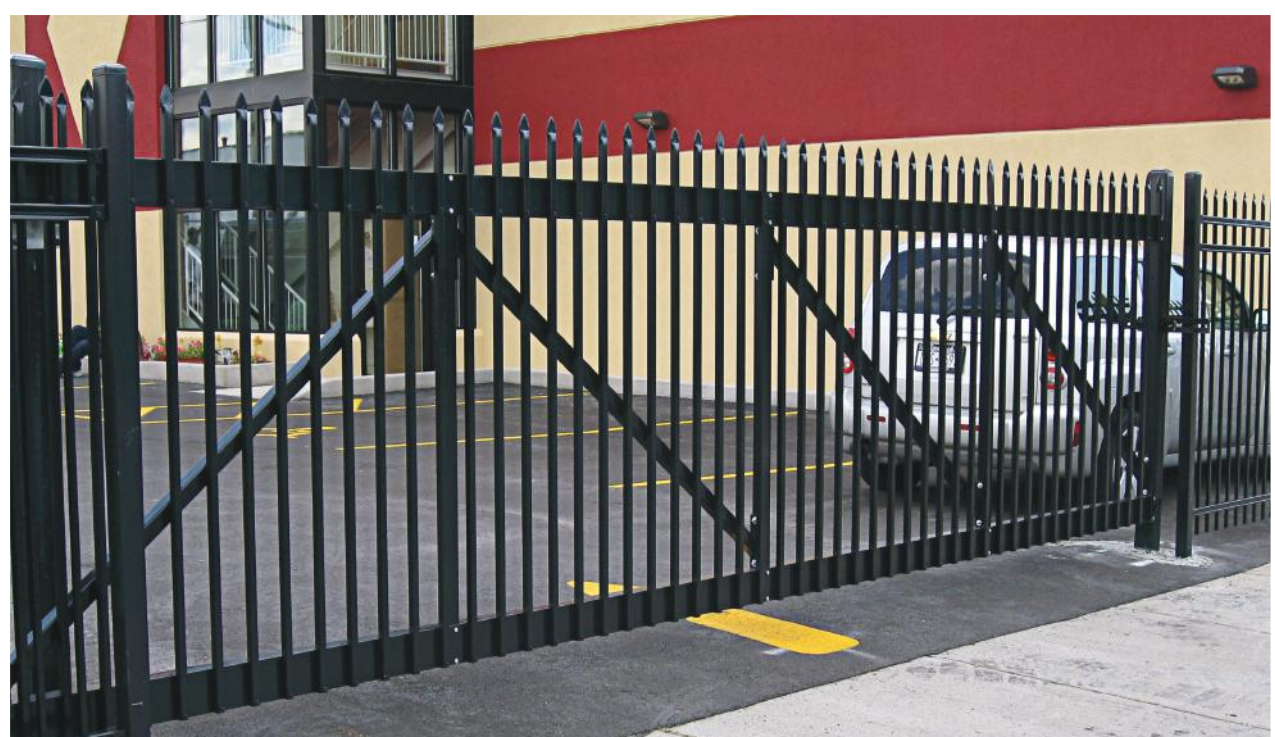


# TRANSPORT<sup>®</sup>



## ENGINEERED CANTILEVER GATES

TransPort is a *revolutionary cantilever gate system* made up of three components; *frame, façade and hardware*. Because of its unique design, TransPort gates can be *easily installed without the use of equipment or excess labor*.



### PRIMARY APPLICATIONS

- **Water Treatment & Storage**
- **Municipal Facilities**
- **Government Facilities**
- **Airports**
- **Manufacturing Plants**
- **Petro & Chemical Facilities**
- **Power Plants & Substations**
- **Schools & Universities**
- **Stadiums & Event Centers**

5159 Woodlane Circle  
Tallahassee, FL 32303  
[www.BTFencing.com](http://www.BTFencing.com)

TALLAHASSEE

(850) 942-1003

MOBILE/BALDWIN

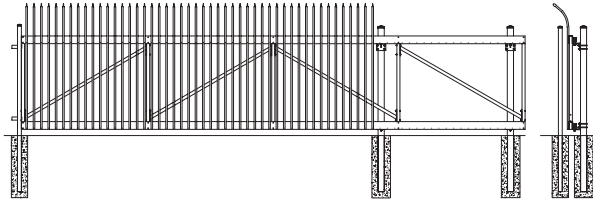
(251) 322-2075



# TRANSPORT<sup>®</sup>

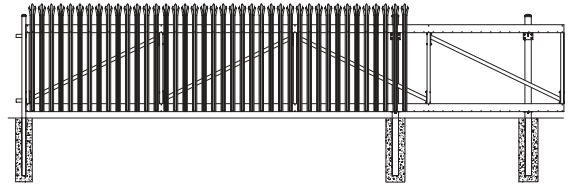
## ENGINEERED CANTILEVER GATES

2"sq x .25" wall UPRIGHTS & DIAGONAL BRACES | 5" x 2" FAST-TRAK



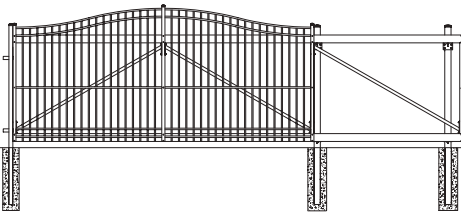
**TRANSPORT II<sup>®</sup>**

1" Ornamental Picket Design | \*Invincible shown  
Matches: Montage II | Echelon II | Aegis II



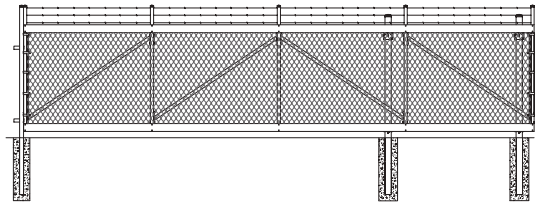
**TRANSPORT IS<sup>®</sup>**

2.75" Ornamental Pale Design | \*Trident shown  
Matches: Impasse II



**TRANSPORT ESTATE<sup>®</sup>**

.75" Ornamental Arched Picket Design | \*Majestic shown  
Matches: Aluminum Estate Entry Gates



**TRANSPORT LINK<sup>®</sup>**

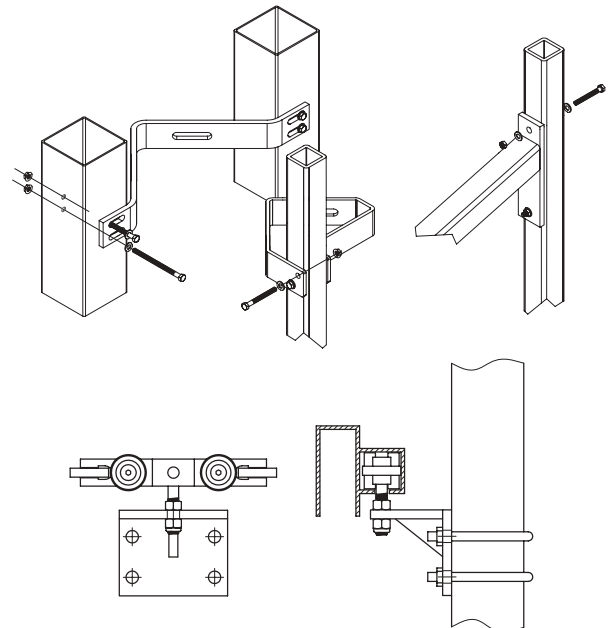
Chain Link Design  
Matches: Chain Link Fence

### GATE DESIGN

The component design of Ameristar's TransPort Cantilever gate decreases the risk of damage during transit. The new TransPort design does not require a team of installers or machinery to install the gate frame, the cantilever gate can easily be installed with a standard three man crew in about two hours.

### HARDWARE

Unlike other engineered cantilever gates, Transport gates greater than 24' openings come equipped with 4 internal trollies that distribute the weight of the gate as it is opened and closed.



#9796 | REVISED 07/2018