

STALWART II[®]



ANTI-RAM BARRIER + ORNAMENTAL FENCE

Stalwart II *integrates the design features of a traditional ornamental iron fence* with the resilience of the Stalwart anti-ram barrier. The ornamental picket design blends into its surroundings, *not drawing attention to itself*, but still maintaining the requirements of an *anti-ram barrier*.

DESIGN INTEGRATION

The Stalwart II framework is a raceway for wiring, conduits, and/or security cabling required around the perimeter of a project. This integrated design eliminates the need for costly trenching and boring becoming a value added solution for perimeter security upgrades.



(inside of rail shown / view from protected side)

When installing these security elements use Stalwart II as a platform:

- **Communication & Video Cables**
- **Intrusion Detection / Fiber Optic Cables**
- **Access Control Wiring**
- **Conduits**
- **Anti-Ram Cabling (Stalwart)**

PRIMARY APPLICATIONS

- **Data Centers**
- **Government Facilities**
- **Stadiums & Event Centers**
- **Schools & Universities**
- **Hospitals**
- **Water Treatment & Storage**
- **Power Plants & Substations**
- **Petroleum & Chemical Facilities**



5159 Woodlane Circle
Tallahassee, FL 32303
www.BTFencing.com

TALLAHASSEE (850) 942-1003

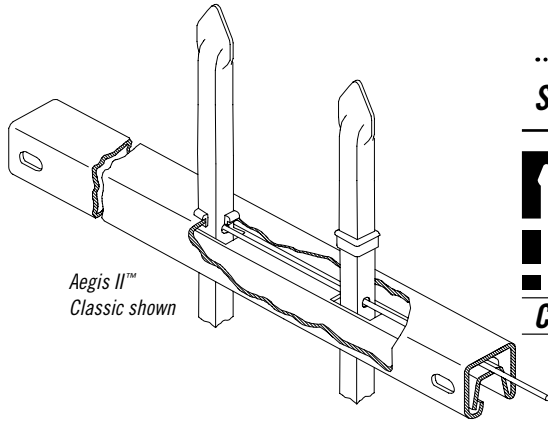
MOBILE/BALDWIN (251) 322-2075

STALWART II[®]

ANTI-RAM BARRIER + ORNAMENTAL FENCE

ORNAMENTAL PANEL | 2" x 2" x 11ga RAILS | 3" x 2.75" x 12ga I-BEAM POSTS

Bollard sizes & cable weights vary based on desired crash rating



STYLE OPTIONS



FABRICATION & DESIGN

Stalwart II brings together traditional ornamental fencing and vehicle barrier into a single line of fence. The integration of these two systems decreases public awareness of the barrier thus drawing attention away from what it protects. The Stalwart II system is manufactured of high-tensile steel and is pre-galvanized inside and out for superior corrosion protection. Each component has been roll-formed into a unique profile that yields significant strength properties for long-lasting durability.



PERMACOAT™ PROTECTIVE FINISH

Ameristar's production facility uses a state-of-the-art polyester powder coating system that provides a durable and scratch resistant finish. This PermaCoat process has a dual-coat finish, which yields the best results for durability and weathering in the industry. These finished components can endure over 3,500 hours of salt spray testing; proving our claim of long-lasting durability.

CRASH RATINGS

Stalwart II offers multiple anti-ram ratings. Each installation can be designed with most the appropriate stand-off distance from the assets.

M50 | **M40** | **M30**

PU60 | **PU50** | **PU30** | **K12** | **K8** | **K4**

#9799 | REVISED 062020



5159 Woodlane Circle, Tallahassee, FL 32303 | www.BTFencing.com