

Echelon[®]



RESIDENTIAL ORNAMENTAL ALUMINUM FENCE

Echelon residential aluminum fence not only *provides safety and security*, but also adds both *value and beauty to your investment*. With Echelon's additional strength from the internally reinforced rail, high quality powder coated finish, and fully welded gates, you can be assured *years of maintenance-free value*.



PRIMARY APPLICATIONS

- ***Single Family Residence***
- ***Gated Subdivision***
- ***Golf Courses***
- ***Decorative Accent***



TALLAHASSEE (850) 942-1003

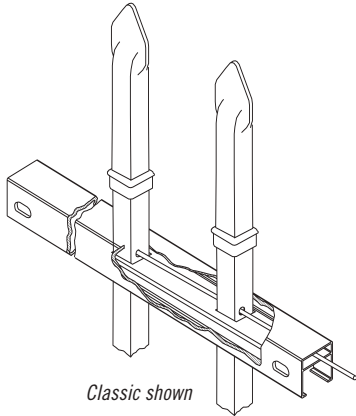
MOBILE/BALDWIN (251) 322-2075

5159 Woodlane Circle
Tallahassee, FL 32303
www.BTFencing.com

Echelon®

RESIDENTIAL ORNAMENTAL ALUMINIUM FENCE

.590"sq x .050" wall PICKETS | 1" x 1.125" (.072" side / .055" top) ForeRunner™ RAILS | 2"sq x .060" wall POSTS



STYLE OPTIONS



CLASSIC™



MAJESTIC™



GENESIS™



CONQUORER™

Classic shown

FABRICATION & DESIGN



Ameristar crafted the ForeRunner rail to increase strength through architecture. The innovative design of the ForeRunner rail contains an internally secured rod that allows for variable pitch connection, high angle biasability and is easy to install. Internal security eliminates the need for visually unappealing external fasteners.

POWDERED COATED SUPERIOR FINISH



Echelon features a state of the art polyester powder coating system that provides a super durable and scratch resistant finish. This eco-friendly process provides years of long-lasting durability and maintenance-free ownership.

LIFETIME LIMITED WARRANTY



The Echelon families of aluminum fencing products are manufactured from superior quality materials by skilled craftsmen with the highest standards of workmanship in the industry. Ameristar is confident in offering Echelon with a limited lifetime warranty, backed by over 30 years of demonstrated excellence in manufacturing of ornamental fence.

DOMESTIC MANUFACTURING



Ameristar is committed to providing products that are manufactured in the USA. We have made significant investments in technology, process improvement, and employee training in an effort to secure American jobs and combat inferior import products.