

MATRIX[®]

PERIMETER ENCLOSURE GRID



**CONFORMS TO IEEE
GROUNDING STANDARDS**



**MEETS ASCE 7-10
EXPOSURE C WIND LOAD**



**MEETS ASTM F2781
FORCED ENTRY STANDARD**



**LAYERED SECURITY
THROUGH ADDITION OF
STALWART BARRIER**

(various ASTM F2656 tested & engineered fence barriers available)

PRIMARY APPLICATIONS

- ▶ POWER UTILITY
- ▶ COUNTER TERRORISM
- ▶ THREAT STANDOFF
- ▶ CHEMICALS OF INTEREST
- ▶ DATA STORAGE
- ▶ BLAST MITIGATION CAGING
- ▶ INDUSTRIAL STORAGE
- ▶ SALLY PORTS

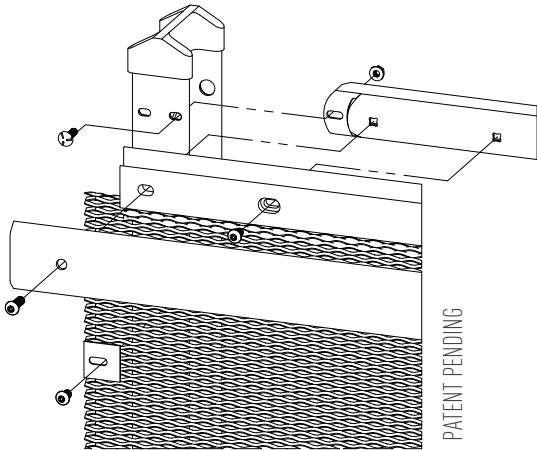


TALLAHASSEE (850) 942-1003

MOBILE/BALDWIN (251) 322-2075

MATRIX®

SECURE PERIMETER ENCLOSURE CONTAINMENT



Matrix security fence is a perimeter enclosure grid with expandable design, which allows the user to determine the level of visibility, delay and deterrence required for the site.

- ▶ Durable powder-coat finish
- ▶ 10 year warranty
- ▶ Engineered Solution

DESIGN INTEGRATION

The Matrix framework is a raceway for wiring, conduits & security cabling required around the perimeter of a project. This integrated design eliminates the need for costly trenching & boring becoming a value added solution for perimeter security upgrades.

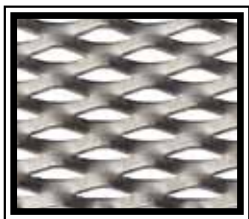
- ▶ Communication & Video Cables
- ▶ Intrusion Detection / Fiber Optic Cables
- ▶ Access Control Wiring
- ▶ Pre-punched Unistrut mounting provisions for conduits



(inside of rail shown above / view from protected side)

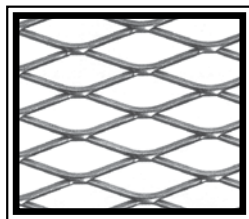
FILLER OPTIONS

Matrix is designed to be fitted with a filler that best matches the level of security required. Each of the Matrix fillers have unique characteristics that provide specific levels of delay and visual screening.



X-Span® Modified

.5" x #13R (.188 strand) std. option



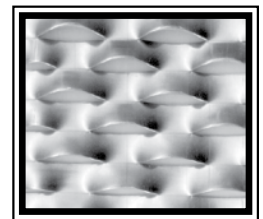
X-SPAN®

.75" x #9F std. option



WireWorks®

.5" x 3" x 8ga & 6ga std. option



X-Screen®

1.5" x #14 std. option