

# Echelon II®



## **INDUSTRIAL ORNAMENTAL ALUMINUM FENCE**

Echelon II's superior *strength and durability* is a result of combining top quality design components with a *maintenance-free, architectural grade finish*. This revolutionary fence system is comprised of aluminum posts, panels, and mounting brackets that are *easily installed along any terrain*.



### PRIMARY APPLICATIONS

- ▶ **Water Treatment & Storage**
- ▶ **Public Housing Authorities**
- ▶ **State Facilities**
- ▶ **Stadiums & Event Centers**
- ▶ **Schools & Universities**
- ▶ **Municipal Facilities**
- ▶ **Airports**
- ▶ **Parks & Recreation**
- ▶ **Hospitals**



TALLAHASSEE (850) 942-1003

MOBILE/BALDWIN (251) 322-2075

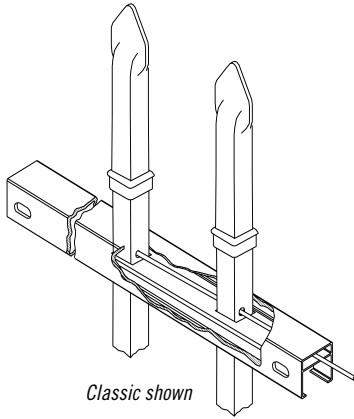
5159 Woodlane Circle  
Tallahassee, FL 32303  
[www.BTFencing.com](http://www.BTFencing.com)

# Echelon II<sup>®</sup>

## INDUSTRIAL ORNAMENTAL ALUMINIUM FENCE

1"sq x .062" / .125" wall\* PICKETS | 1.75" x 1.75" x (.070" side & top wall) ForeRunner™ RAILS  
2.5"sq x .080" & 3"sq x .120" wall POSTS

\* Invincible only



### STYLE OPTIONS



### FABRICATION & DESIGN

Ameristar crafted the ForeRunner rail to increase strength through architecture. The innovative design of the ForeRunner rail contains an internally secured rod that allows for variable pitch connection, high angle biasability and is easy to install. Internal security eliminates the need for visually unappealing external fasteners.



### POWDERED COATED SUPERIOR FINISH

Echelon features a state of the art polyester powder coating system that provides a durable and scratch resistant finish. This eco-friendly process provides years of long-lasting durability and maintenance-free ownership.



### LIFETIME LIMITED WARRANTY

The Echelon families of aluminum fencing products are manufactured from superior quality materials by skilled craftsmen with the highest standards of workmanship in the industry. Ameristar is confident in offering Echelon with a limited lifetime warranty, backed by over 30 years of demonstrated excellence in manufacturing of ornamental fence.



### DOMESTIC MANUFACTURING

Ameristar is committed to providing products that are manufactured in the USA. We have made significant investments in technology, process improvement, and employee training in an effort to secure American jobs and combat inferior import products.